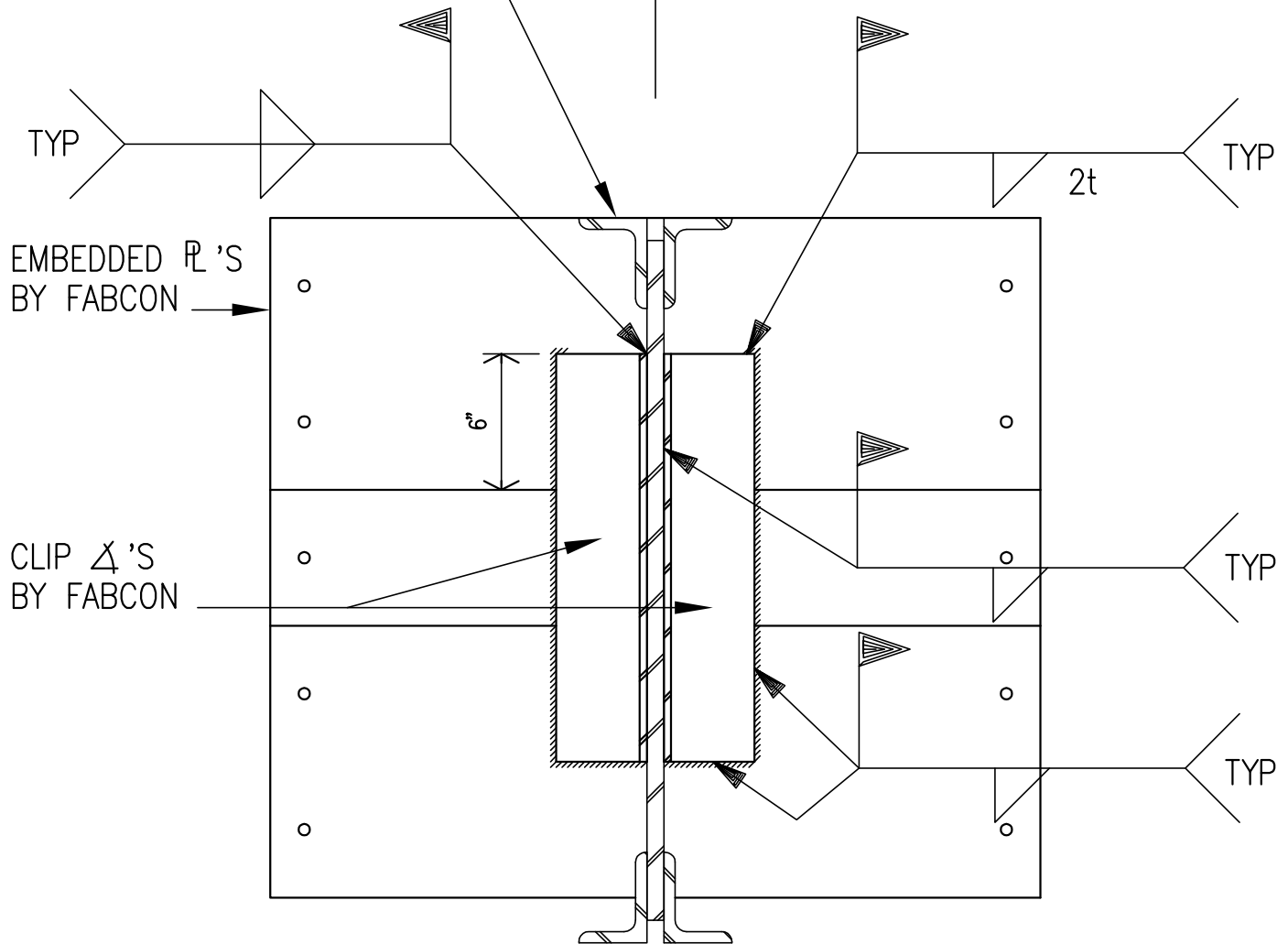


# JOIST GIRDER W/WEB END PLATE CONNECTION

JOIST GIRDER W/WEB  
END PLATE BY G.C.

SEE ELEV FOR  
DIM TO PANEL JOINT



INSULATED VERSACORE  
WALL PANEL (FORM SIDE  
SHOWN) BY FABCON

NOTE:  
FOR LOADS GREATER  
THAN 72 KIPS, CONSULT  
WITH FABCON ENG. DEPT.

DETAIL  
1" = 1'-0"