

INDIVIDUAL JOIST BEARING / FREESTANDING DETAIL

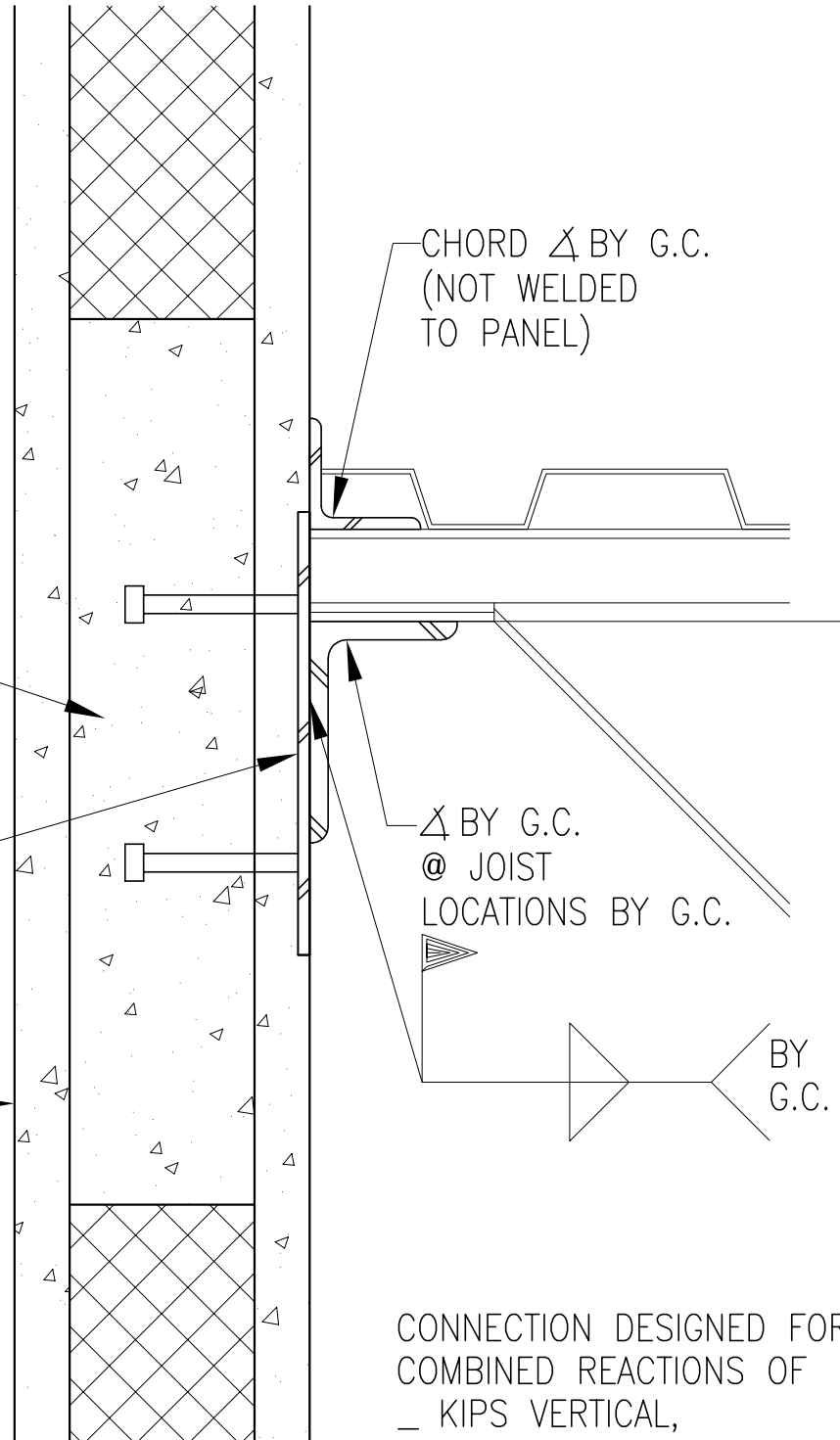
BAR JOIST, DECK,
INSULATION, BLOCKING
& ROOFING BY G.C.

NOTE:
CHORD ANGLE DOES NOT
HAVE TO BE CONNECTED TO
THE PRECAST IF LATERAL AND
PERPENDICULAR LOADS CAN
BE TRANSFERED THROUGH
THE BAR JOIST SEATS

CORES FILLED SOLID
W/CONC. A MIN OF
3'-6"

EMBEDDED \bar{R} @
JOIST LOC'S

VERSACORE
WALL PANEL

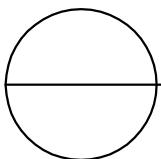


CHORD Δ BY G.C.
(NOT WELDED
TO PANEL)

Δ BY G.C.
@ JOIST
LOCATIONS BY G.C.

BY
G.C.

CONNECTION DESIGNED FOR
COMBINED REACTIONS OF
- KIPS VERTICAL,
- KIPS HORIZONTAL, AND
- KIPS PERPENDICULAR



DETAIL

1 1/2" = 1'-0"

FILE NAME: JSTBR